

# Cylindrical flat magnet type VS 03

REF 92.03

{ERREUR : balise [PRESTATION\_CRITERE\_ASoust] inconnue}

High holding power / Rugged construction / Effective

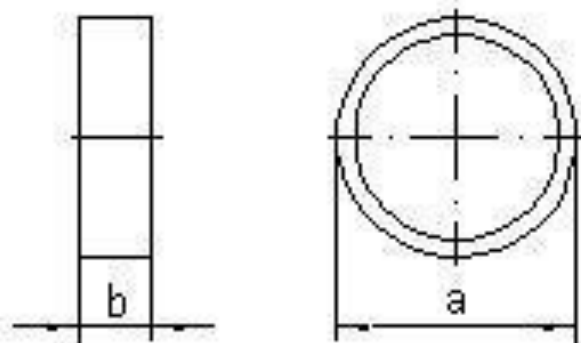
## Mounting, Clamping, Assembly

- Cylindrical magnets.
- Zinc-Plated steel encloser

## Options



Reference	Poids en kg	A	B	C
92.03-6	0.001	6	4.5	5N
92.03-8	0.002	8	4.5	11N
92.03-10	0.003	10	4.5	20N
92.03-13	0.004	13	4.5	40N
92.03-16	0.007	16	4.5	60N
92.03-20	0.014	20	6	90N
92.03-25	0.026	25	7	150N
92.03-32	0.042	32	7	220N



C= Force - Force - Kraft